

PLEASE CHECK WWW.MOLEX.COM FOR LATEST PART INFORMATION

Part Number: [0754921066](#)
Status: **Active**
Overview: [gbx_backplane_connector_system](#)
Description: 1.85mm by 1.85mm (.073 by .073") Pitch 2-Pair GbX® Backplane Connector System, Power Module, 4 Circuits, 1.27µm (50µ") Gold (Au)

Documents:

[Drawing \(PDF\)](#) [RoHS Certificate of Compliance \(PDF\)](#)
[Product Specification PS-75221-999 \(PDF\)](#)

Agency Certification

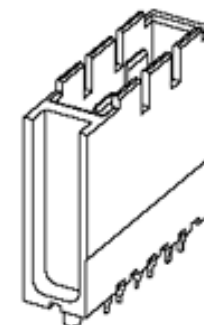
UL E29179

General

Product Family Backplane Connectors
 Series [75492](#)
 Application Backplane
 Application Tooling Documents [Tooling Manual](http://www.molex.com/pdm_docs/ats/TM-622022099.pdf)
 Comments Blade Length A 6.00mm, B 6.00mm
 Component Type Power Header
 Overview [gbx_backplane_connector_system](#)
 Product Name GbX®
 Style N/A

Physical

Circuits (Loaded) 4
 Circuits (maximum) 4
 Circuits Detail Rows A & B
 Color - Resin Gray (Dark)
 Durability (mating cycles max) 200
 First Mate / Last Break No
 Flammability 94V-0
 Guide to Mating Part No
 Keying to Mating Part None
 Material - Metal High Performance Alloy (HPA)
 Material - Plating Mating Gold
 Material - Plating Termination Tin-Lead
 Material - Resin High Temperature Thermoplastic
 Number of Columns N/A
 Number of Pairs 2
 Number of Rows 2
 Orientation Vertical
 PC Tail Length (in) 0.090 In
 PC Tail Length (mm) 2.28 mm
 PCB Locator Yes
 PCB Retention Yes
 PCB Thickness Recommended (in) 0.063 In
 PCB Thickness Recommended (mm) 1.60 mm
 Packaging Type Tube
 Pitch - Mating Interface (in) 0.730 In
 Pitch - Mating Interface (mm) 1.85 mm
 Pitch - Term. Interface (in) 0.102 In
 Pitch - Term. Interface (mm) 2.60 mm
 Plating min: Mating (µin) 50
 Plating min: Mating (µm) 1.25



*Series
image - Reference only*

EU RoHS

RoHS Compliant by Exemption
REACH SVHC
Contains SVHC: No
Halogen-Free
Status

China RoHS



Halogen-Free
Need more information on product environmental compliance?

Email productcompliance@molex.com
 For a multiple part number RoHS Certificate of Compliance, [click here](#)

Please visit the [Contact Us](#) section for any non-product compliance questions.

Search Parts in this Series

[75492Series](#)

Mates With

[75292 GbX® Daughtercard](#)

Application Tooling | FAQ

Tooling specifications and manuals are found by selecting the products below. Crimp Height Specifications are then contained in the Application Tooling Specification document.

Global

| Description | Product # |
|-------------------------------|----------------------------|
| GbX® Shield | 0622022100 |
| Removal Tool | |
| GbX® 2 Pair 1-Up Power Module | 0622022480 |

| | |
|--------------------------------------|------------------------------|
| Plating min: Termination (μ in) | 30 |
| Plating min: Termination (μ m) | 0.75 |
| Polarized to PCB | Yes |
| Stackable | No |
| Surface Mount Compatible (SMC) | Yes |
| Temperature Range - Operating | 105°C |
| Termination Interface: Style | Through Hole - Compliant Pin |

Electrical

| | |
|-------------------------------|------------------|
| Current - Maximum per Contact | 6A |
| Data Rate | 8.0 Gbps |
| Shielded | No |
| Voltage - Maximum | 120V AC (RMS)/DC |

Material Info

Reference - Drawing Numbers

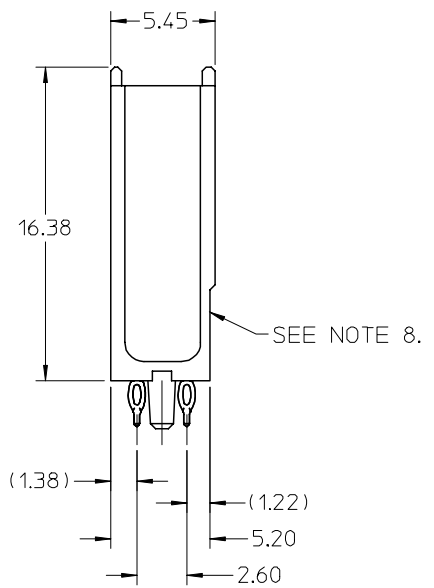
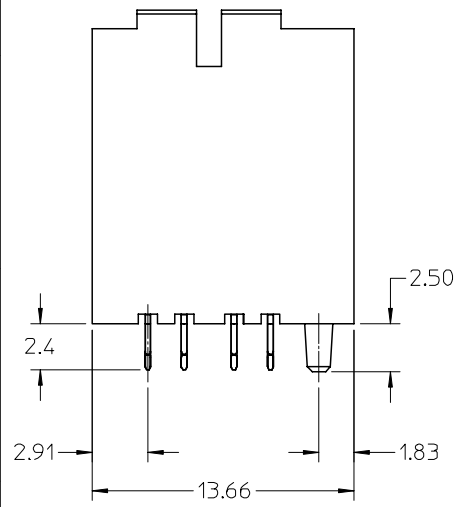
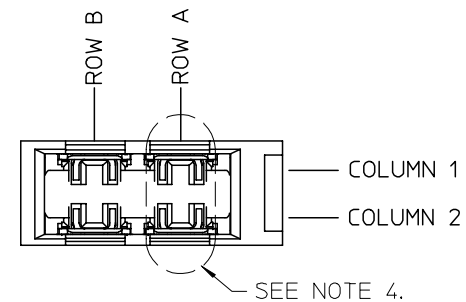
| | |
|-------------------------|--------------|
| Packaging Specification | PK-70873-578 |
| Product Specification | PS-75221-999 |
| Sales Drawing | SD-75492-001 |

GbX is a registered trademark of Amphenol Corporation.

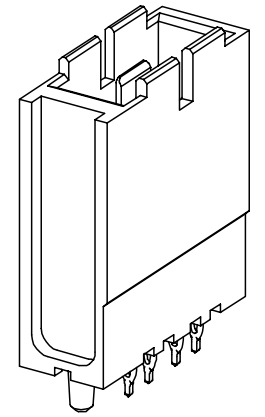
This document was generated on 05/14/2010

PLEASE CHECK WWW.MOLEX.COM FOR LATEST PART INFORMATION

10 9 8 7 6 5 4 3 2 1



- NOTES:
1. MATERIALS: HOUSING - LIQUID CRYSTAL POLYMER (LCP), UL 94V-0, GRAY; CONTACT - COPPER ALLOY
 2. FINISH: SELECT GOLD IN CONTACT AREA, 50 μm THICK; TIN/LEAD OR MATTE TIN IN COMPLIANT AREA.
 3. PACKAGING PER PK-70873-578.
 4. CONTACTS IN EACH ROW HAVE THE SAME WIPE LENGTH.
 5. BACKPLANE ASSEMBLY MATES WITH DAUGHTERCARD POWER MODULE 75292-2***.
 6. PART SHOWN IS 75492-1067.
 7. SEE OTHER SHEETS FOR ADDITIONAL NOTES.
 8. WHEN INSERTING OPEN SIGNAL MODULES NEXT TO COLUMN 1 SIDE OF POWER MODULES, SIGNAL MODULES MUST BE INSERTED BEFORE THE POWERS TO AVOID INTERFERENCE BETWEEN THE TWO CONNECTOR HOUSINGS.
 9. THESE PARTS CONFORM TO MOLEX PRODUCT SPECIFICATION PS-75221-999.
 10. THESE PARTS CONFORM TO MOLEX COSMETIC SPECIFICATION PS-45499-002 CLASS B.



1-UP ASSEMBLY PART NUMBER

- 7 5 4 9 2 - 1 0 A B
- TIN/LEAD PLATED PRODUCT - FOR EACH ROW LOCATION A, B:
 - 4 = 4.5 mm
 - 6 = 6.0 mm
 - 7 = 7.5 mm
 - LEAD-FREE PLATED PRODUCT - FOR EACH ROW LOCATION A, B:
 - 2 = 4.5 mm
 - 3 = 6.0 mm
 - 5 = 7.5 mm

SEE SHEET 4 FOR HOLE PATTERN LAYOUT

| | | | | | | | | | |
|---|----------------------|---|--|--|----------------------------|---------------------------|--------------|------------------------|------------------------|
| ADDED NOTES 9 & 10 EC NO: UCP2008-0426 DRWN: C STEWART 2007/08/29 CHKD: J BINGHAM 2007/08/30 APPR: J BINGHAM 2007/08/31 | DESCRIPTION REV C | QUALITY SYMBOLS ▽=0 ▽=0 | GENERAL TOLERANCES (UNLESS SPECIFIED) | | DIMENSION STYLE MM ONLY | | SCALE 4:1 | DESIGN UNITS METRIC | THIRD ANGLE PROJECTION |
| | | 4 PLACES ± --- ± --- 3 PLACES ± --- ± --- 2 PLACES ± --- ± --- 1 PLACE ± --- ± --- | mm INCH DRAWN BY DATE ELO 2005/07/01 CHECKED BY DATE ELO 2005/07/01 APPROVED BY DATE BIXLER 2005/07/06 | TITLE GBX 2 PAIR BACKPLANE POWER SALES ASSEMBLY | | MOLEX INCORPORATED | | | |
| | | DRAFT WHERE APPLICABLE MUST REMAIN WITHIN DIMENSIONS | | MATERIAL NO. SEE CHART | | DOCUMENT NO. SD-75492-001 | | SHEET NO. 1 OF 4 | |
| | | THIS DRAWING CONTAINS INFORMATION THAT IS PROPRIETARY TO MOLEX INCORPORATED AND SHOULD NOT BE USED WITHOUT WRITTEN PERMISSION | | | | | | | |

9 8 7 6 5 4 3 2 1

10 9 8 7 6 5 4 3 2 1

2-UP ASSEMBLY PART NUMBER

7 5 4 9 2 - 2 0 A B

- TIN/LEAD PLATED PRODUCT -
FOR EACH ROW LOCATION A, B:

4 = 4.5 mm

6 = 6.0 mm

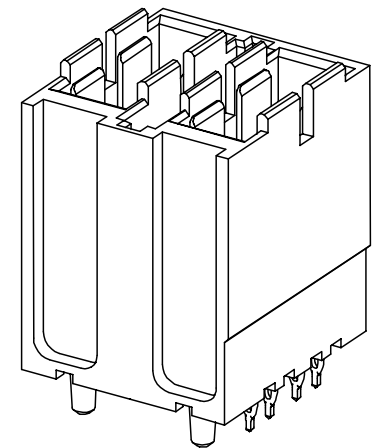
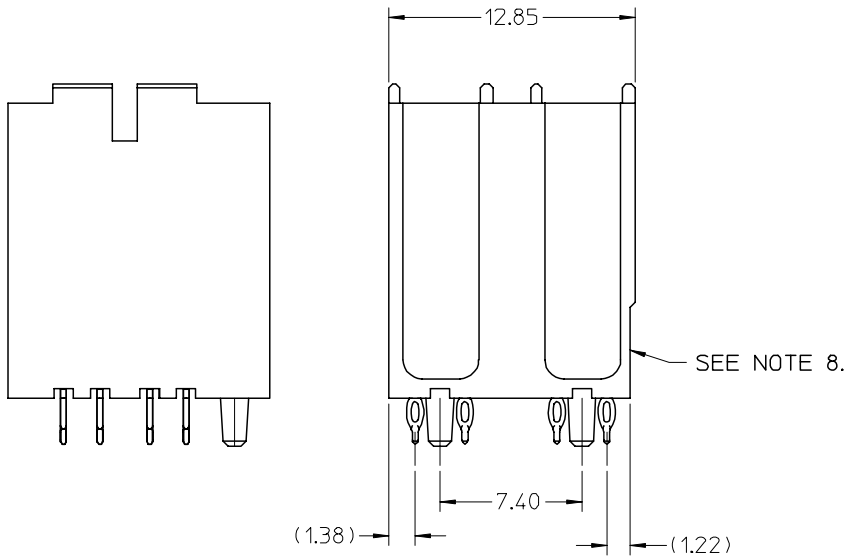
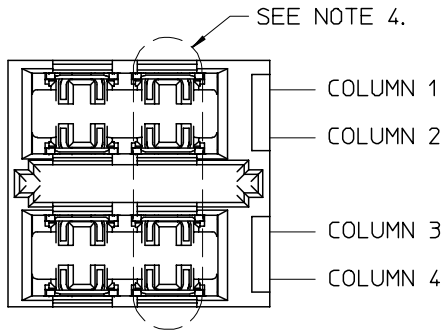
7 = 7.5 mm

- LEAD-FREE PLATED PRODUCT -
FOR EACH ROW LOCATION A, B:

2 = 4.5 mm

3 = 6.0 mm

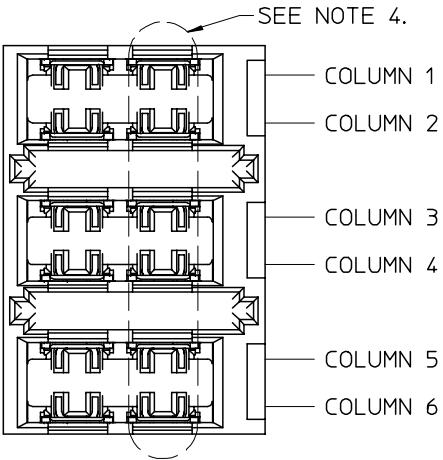
5 = 7.5 mm



SEE SHEET 1 FOR ADDITIONAL INFORMATION
CHECK WITH PRODUCT MANAGER FOR AVAILABILITY

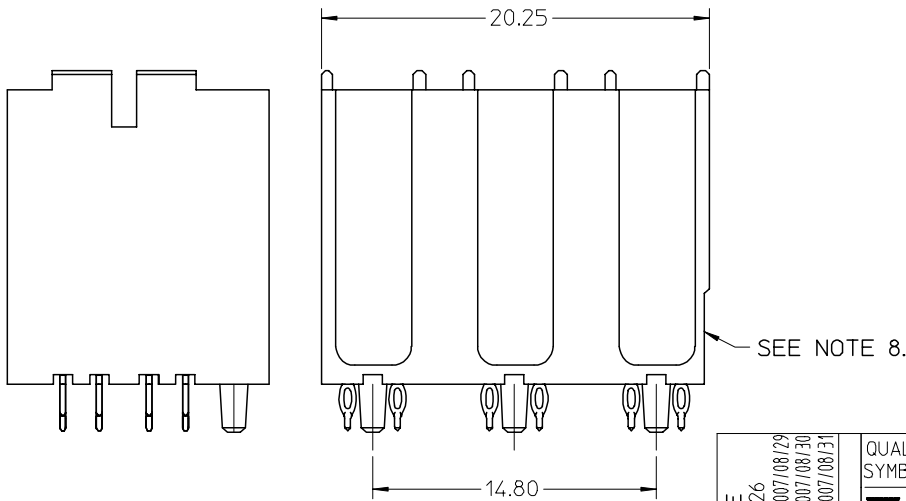
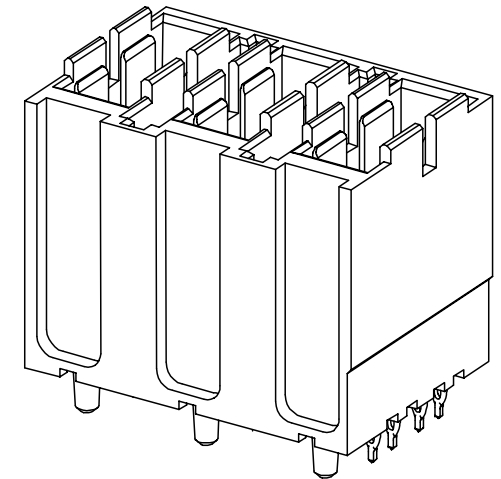
| | | | | | | | | |
|--|-------------------------------|--|--|--|--------------------|--|------------------------------|---------------------|
| SEE SHEET ONE EC NO: UCP2008-0426 DRWN: STEWART 2007/08/29 CHKD: BINGHAM 2007/08/30 APPR: BINGHAM 2007/08/31 | QUALITY SYMBOLS ▽=0 ▽=0 | GENERAL TOLERANCES (UNLESS SPECIFIED) | | DIMENSION STYLE MM ONLY | SCALE 4:1 | DESIGN UNITS METRIC | THIRD ANGLE PROJECTION | |
| | | | | DRAWN BY ELO | DATE 2005/07/01 | TITLE GBX 2 PAIR BACKPLANE POWER SALES ASSEMBLY | | |
| | | | | CHECKED BY ELO | DATE 2005/07/01 | MOLEX INCORPORATED | | |
| | | | | APPROVED BY BIXLER | DATE 2005/07/06 | MATERIAL NO. SEE CHART | DOCUMENT NO. SD-75492-001 | SHEET NO. 2 OF 4 |
| | | DRAFT WHERE APPLICABLE MUST REMAIN WITHIN DIMENSIONS | | THIS DRAWING CONTAINS INFORMATION THAT IS PROPRIETARY TO MOLEX INCORPORATED AND SHOULD NOT BE USED WITHOUT WRITTEN PERMISSION | | | | |

9 8 7 6 5 4 3 2 1



3-UP ASSEMBLY PART NUMBER

- 7 5 4 9 2 - 3 0 A B
- TIN/LEAD PLATED PRODUCT -
 - FOR EACH ROW LOCATION A, B:
 - 4 = 4.5 mm
 - 6 = 6.0 mm
 - 7 = 7.5 mm
 - LEAD-FREE PLATED PRODUCT -
 - FOR EACH ROW LOCATION A, B:
 - 2 = 4.5 mm
 - 3 = 6.0 mm
 - 5 = 7.5 mm



SEE SHEET 1 FOR ADDITIONAL INFORMATION
CHECK WITH PRODUCT MANAGER FOR AVAILABILITY

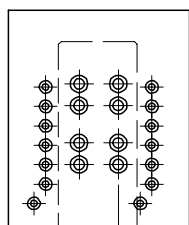
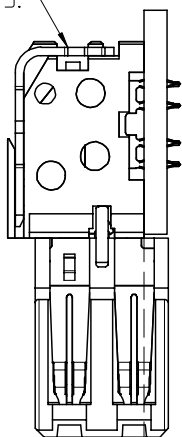
| | | | | | | | | | | |
|--|-------------------------------|---------------------------------------|-----------------------|----------------------------|---|--------------------|--|------------------------|--|--|
| SEE SHEET ONE EC NO: UCP2008-0426 DRWN: C STEWART 2007/08/29 CHKD: J BINGHAM 2007/08/30 APPR: J BINGHAM 2007/08/31 | QUALITY SYMBOLS ▽=0 ▽=0 | GENERAL TOLERANCES (UNLESS SPECIFIED) | | DIMENSION STYLE MM ONLY | | SCALE 4:1 | DESIGN UNITS METRIC | THIRD ANGLE PROJECTION | | |
| | | | mm | INCH | DRAWN BY ELO | DATE 2005/07/01 | TITLE GBX 2 PAIR BACKPLANE POWER SALES ASSEMBLY | | | |
| | | 4 PLACES | ± --- | ± --- | CHECKED BY | DATE 2005/07/01 | | | | |
| | | 3 PLACES | ± --- | ± --- | ELO | 2005/07/06 | MOLEX INCORPORATED | | | |
| 2 PLACES | ± --- | ± --- | APPROVED BY BIXLER | DATE 2005/07/06 | | | | | | |
| 1 PLACE | ± --- | ± --- | ANGULAR ± 5 ° | | MATERIAL NO. | DOCUMENT NO. | | SHEET NO. | | |
| DRAFT WHERE APPLICABLE MUST REMAIN WITHIN DIMENSIONS | | | | SEE CHART | | SD-75492-001 | | 3 OF 4 | | |
| | | | | SIZE B | THIS DRAWING CONTAINS INFORMATION THAT IS PROPRIETARY TO MOLEX INCORPORATED AND SHOULD NOT BE USED WITHOUT WRITTEN PERMISSION | | | | | |

10 9 8 7 6 5 4 3 2 1

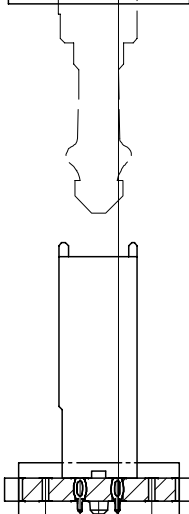
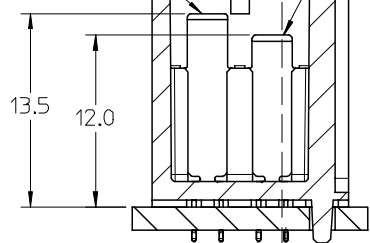
HOLE PATTERN FOR 1-UP ASSEMBLY

- 1.) ADD 7.40 FROM CENTERLINES OF PEG FOR MULTIPLE UP ASSEMBLIES
- 2.) USE 5.55 FROM CENTERLINE TO CENTERLINE OF PEG FOR INDIVIDUAL POWER MODULES STACKED NEXT TO EACH OTHER.

SEE NOTE 5.



7.5 mm WIPE 6.0 mm WIPE

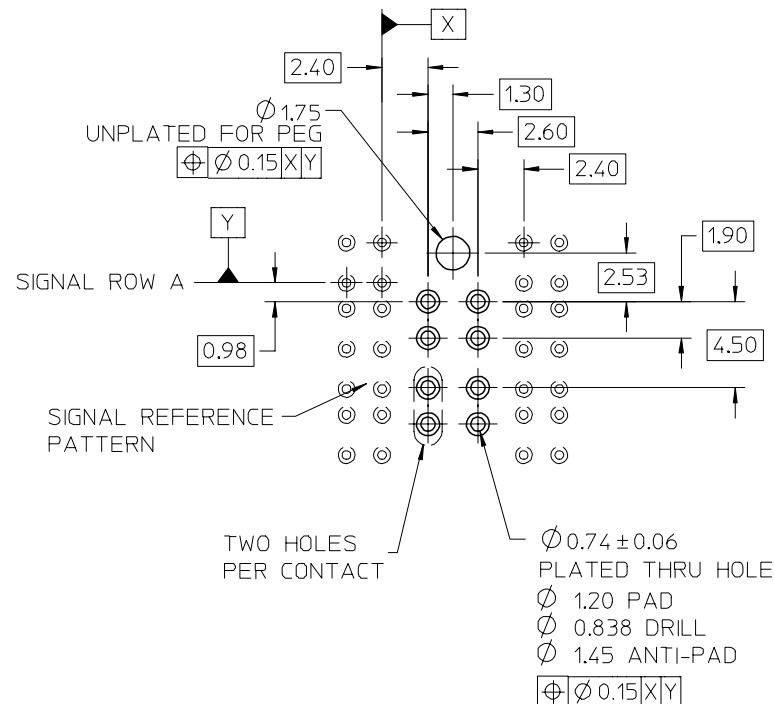


SEE NOTE 6.

0.27

DC BOARD EDGE TO CENTERLINE OF BP TAIL

0.06



| | | | | | | | | | |
|--|-------------------------------|---|--|----------------------------|------------------------------|---------------------|--|------------------------|--|
| SEE SHEET ONE EC NO: UCP2008-0426 DRWN: C STEWART 2007/08/29 CHKD: J BINGHAM 2007/08/30 APPR: J BINGHAM 2007/08/31 | QUALITY SYMBOLS ▽=0 ▽=0 | GENERAL TOLERANCES (UNLESS SPECIFIED) | | DIMENSION STYLE MM ONLY | | SCALE 4:1 | DESIGN UNITS METRIC | THIRD ANGLE PROJECTION | |
| | | | mm | INCH | DRAWN BY ELO | DATE 2005/07/01 | TITLE GBX 2 PAIR BACKPLANE POWER SALES ASSEMBLY | | |
| | | 4 PLACES | ± --- | ± --- | CHECKED BY ELO | DATE 2005/07/01 | | | |
| | | 3 PLACES | ± --- | ± --- | APPROVED BY BIXLER | DATE 2005/07/06 | MOLEX INCORPORATED | | |
| 2 PLACES | ± --- | ± --- | MATERIAL NO. SEE PREVIOUS | | DOCUMENT NO. SD-75492-001 | SHEET NO. 4 OF 4 | | | |
| 1 PLACE | ± --- | ± --- | DRAFT WHERE APPLICABLE MUST REMAIN WITHIN DIMENSIONS | | | | | | |
| ANGULAR ± 5 ° | | THIS DRAWING CONTAINS INFORMATION THAT IS PROPRIETARY TO MOLEX INCORPORATED AND SHOULD NOT BE USED WITHOUT WRITTEN PERMISSION | | | | | | | |

9 8 7 6 5 4 3 2 1